

Lightning products Lightning counter

Lightning counter

In compliance with **NF EN 50164-6** standard

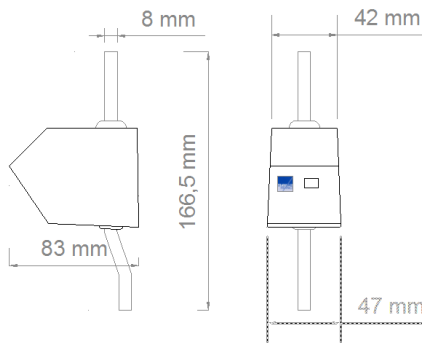


Delivered with 2 flat/round coupling
Ref : AFJ0819RL

The impact controller or lightning counter is designed for detecting and counting lightning strikes received by the structures equipped with lightning rods.

Totally autonomous and no need of external power supply The counter is delivered with 2 coupling collars AFJ0819RL.

Counter compulsory for protected sites (Decree of July 19th,2011), recommended for Insurances companies and expert assessment.



CHARACTERISTICS

Reference :	AFV 0907 CF
Type of installation :	Earth conductor, down conductor, SPD
Assembly	Inox coupling on down conductor
Use :	Impact controller from 1 to 100kA
Counting range :	0 to 99
Counter threshold :	1kA . (8/20 wave)
Maximum discharge current detected :	100 kA . (10/350 wave)
Terminal capacity	Ø8mm (50mm ²) tinned copper
Material :	PVC/Copper
Dimensions :	1665 x 83 x 47 mm
Weight :	430 g
Indice oe protection :	IP53
Standards :	NF EN 50164-6
	Delivered with 2 flat/round inox coupling AFJ0819RL

Last update : 09/12/2014

Franklin Technologie © - A full range of lighting and overvoltage protection.

In the continue framework of its products, **Franklin France** shall be entitled to modify specifications without notice