

Lightning Products Earthing systems

Control junction

*in compliance with **NF EN 50164-4** standard*

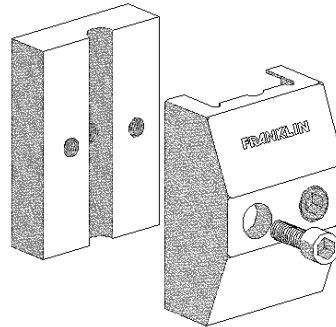


Delivered with BTR key and a fixing screw

A control junction should be inserted on each down conductor to allow disconnection from its earth terminal.

It should be installed between protective tube (ref AFK4200FP) and lightning counter (AFV0907CF, AFV0906CF).

It can also be installed in a inspection pit or an equipotentiality bar.



CHARACTERISTICS

Reference :	AFK 0080 BC
Type of installation :	Between protective tube and lightning counter
Assembly :	Base to screw on the building. Can be disassembled with 2 BTR screws Ø6mm. Base to fix with Ø4mm screw provided
Use :	Insulate the earth system from outside lightning protection installation
Display :	-
Conductors	Strip of section 27x2 to 33,5x3 mm and round Ø8 to 10mm
Material :	Tinned cupro alu
Dimensions :	70 x 37 x 20 mm
Weight :	360 g
Index of protection :	-
Standards :	NF EN 50164-4

Last update : 09/12/2014

Franklin Technologie © - A full range of lighting and overvoltage protection.
In the continue framework of its products, **Franklin France** shall be entitled to modify specifications without notice