

## Lightning products

### Earthing systems and fixings

#### Earth rod to tape clamp

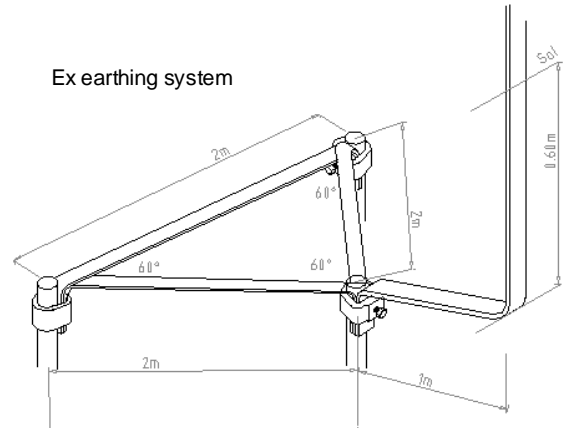
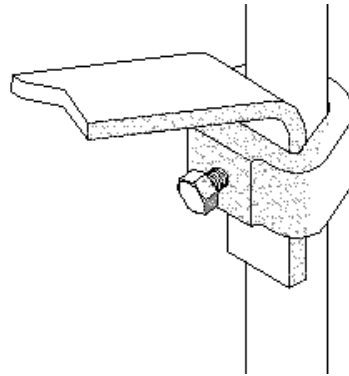
In compliance with **NF EN 50164-2** standard



Delivered with a brass M10 screw

It is used to connect the horizontal electrodes type strip coil or round conductor with vertical electrodes (earth rod ref AFK0418PT).

Until 3 conductors type tinned copper strip coil can be connected with an earth electrode.



#### CHARACTERISTICS

<b>Reference :</b>	<b>AFK0020RP</b>
Type of installation :	Lightning earthing system
Assembly :	Clamping of the earth conductors with earth electrode Ø19mm
Use :	Installation of lightning earthing system in compliance with NFC 17102 and NF EN 62305-3 standards
Display :	-
Conductors	Strip coil section 27x2mm to 33,5x3mm and round conductor Ø8mm
Material :	Cupro alu
Dimensions :	54 x 42 x 20 mm
Weight :	0,150 kg
Indice of protection :	-
Standards :	<b>NF EN 50164-2</b>

Last update : 09/12/2014

Franklin Technologie © - A full range of lightning and overvoltage protection.  
In the continue framework of its products, **Franklin France** shall be entitled to modify specifications without notice