

## Lightning products Earthing systems

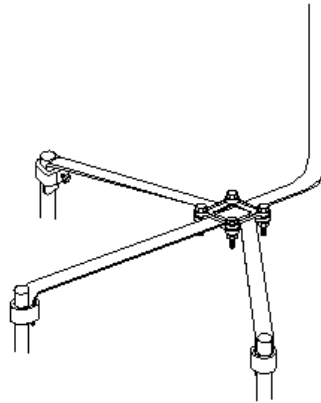
### Multistrand coupling

*in compliance with **NF EN 50164-** standard*



This coupling is used to connect the 3 braids of crow's foot. It is then possible to connect more than 3 conductors.

Conductors type tinned copper strip coil 27x2mm, inox 30x2mm and galvanized steel 33,5x3mm are maintained in pressure after clamping of the 4 delivered M10 screws.



Principle drawing crow's foot earthing system

### CHARACTERISTICS

<b>Reference :</b>	<b>AFK 0004 RM</b>
Type of installation :	Earthing system
Assembly :	Clamping of the conductors with this coupling.
Use :	Horizontal interconnections of the earth electrodes
Display :	-
Conductors	Tinned copper strip coil, inox and galvanized
Material :	Cupro alu
Dimensions :	80 x 80 x 20 mm
weight :	0,930 g
Indice of protection :	-
Standards :	<b>NF EN 50164-4</b>

Last update : 09/12/2014

Franklin Technologie © - A full range of lightning and overvoltage protection.  
In the continue framework of its products, **Franklin France** shall be entitled to modify specifications without notice