

Lightning products

Conductors fixings

Staples

*in compliance with **NF EN 50164-4** standard*

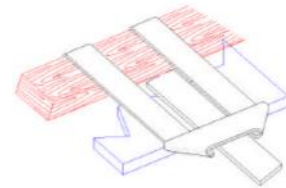
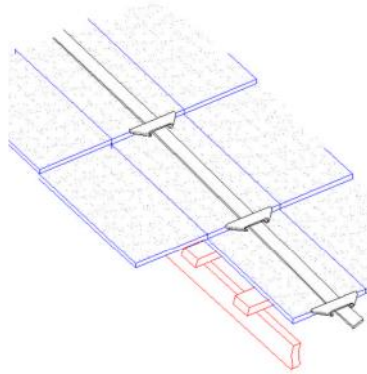
These fixings are designed for fixing directly flat conductors on tile and slate roofs.

They are fixed under the tiles as indicated on the below scheme. The conductors are then maintained by pushing.

The distance between each fixing will be determinate according to (NFC 17102 or NF EN 62305-3) applicable installation standard.



Exists in length 200mm, ref
AFH 0030 AM



CHARACTERISTICS

| | |
|------------------------|---|
| Reference : | AFH 0031 AM |
| Type of installation : | Fixing and support of the tape and conductor |
| Assembly : | Support of the conductor by pushing on the tiles |
| Use : | Down conductor and equipotential connections fixing |
| Display : | - |
| Conductors | Tape of section 27x2 to 33,5x3 mm |
| Material : | Tinned copper |
| Dimensions : | 100 x 64 x 0,8 mm |
| Weight : | 0,040 g |
| Indice of protection : | - |
| Standards : | NF EN 50164-4 |
| | |
| | |

Last update : 09/12/2014

Franklin Technologie ® - A full range of lighting and overvoltage protection.
In the continue framework of its products, **Franklin France** shall be entitled to modify specifications without notice