

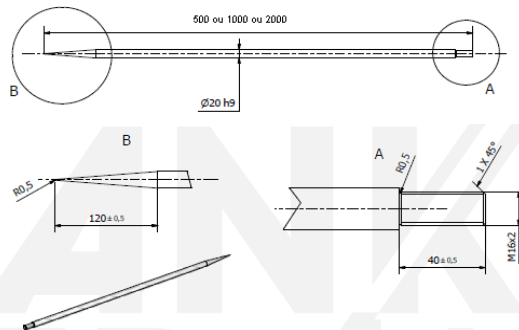
### Capture point 1 meter



The capture point is used in the placement of mesh cage type protection.

Their usefulness must be validated by the method of angles or the fictitious sphere.

Strip-type conductors can be connected to the body of this tip using the specific flat/round connector.



### Caracteristics

Reference :	<b>AFE1101PC</b>
Type of installation :	Meshed cage
Use :	Additional meshed cage installation
Use :	-
Display :	-
Conductor :	Stainless steel
Material :	1000 x Ø 20mm and M16 thread on 40mm length
Dimensions :	2,25 kg
Weight :	-
Clamping diameter :	NF EN 62305-3

Franklin Technologie® - A full range of lightning and overvoltage protection.

In the continue framework of its products, Franklin France shall be entitled to modify specifications without notice